

2011.05

AUTOMATIC TRANSFER SWITCHES



MS Type

A. General description

1. Main function:When the utility power is abnormal, the load will switch to emergency power (generators) . While the utility power return, the load will back to normal power supply.
2. Mechanical Interlock:To protect two breakers in the ATS could not switch in the same time.
3. Reading status easily: LED lights show status of power supply and load.

B. Features

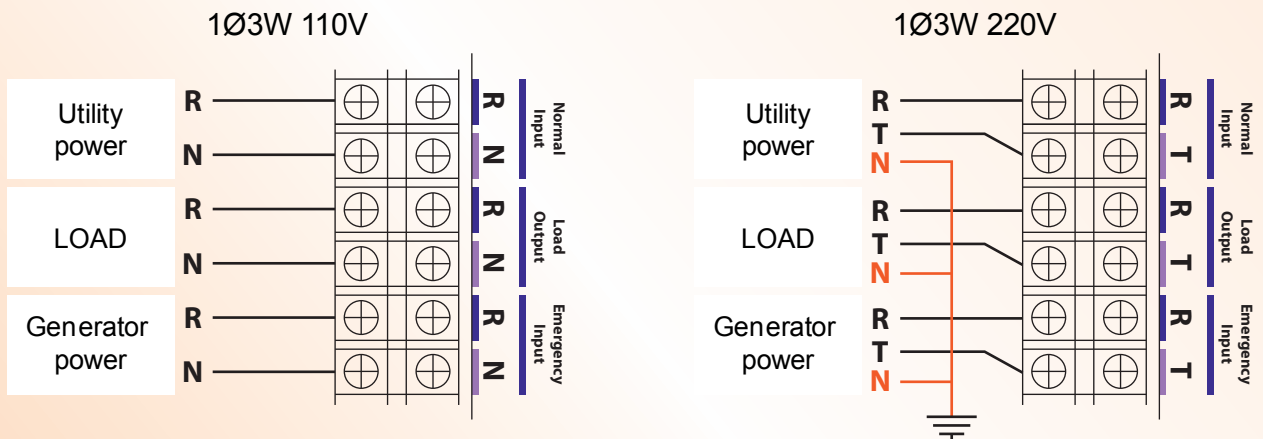
1. Double protect
2. Automatic & Manual operation
3. Clearly operation status:
 - a.Normal
 - b.Emergency
 - c.Load on
4. Overload and short circuit protection
5. Automatic switch : Normal power ↔ Emergency power



C. Specification

Type	ATS Protection Switch	Rated current In (A)	Pole	Voltage
BS-MB	Miniature Circuit Breaker Protection Switch	20A	R,N	110V
			R,T	220V

D. ATS access line 1Ø3W 110V/220V



E. The main contact module diagram:

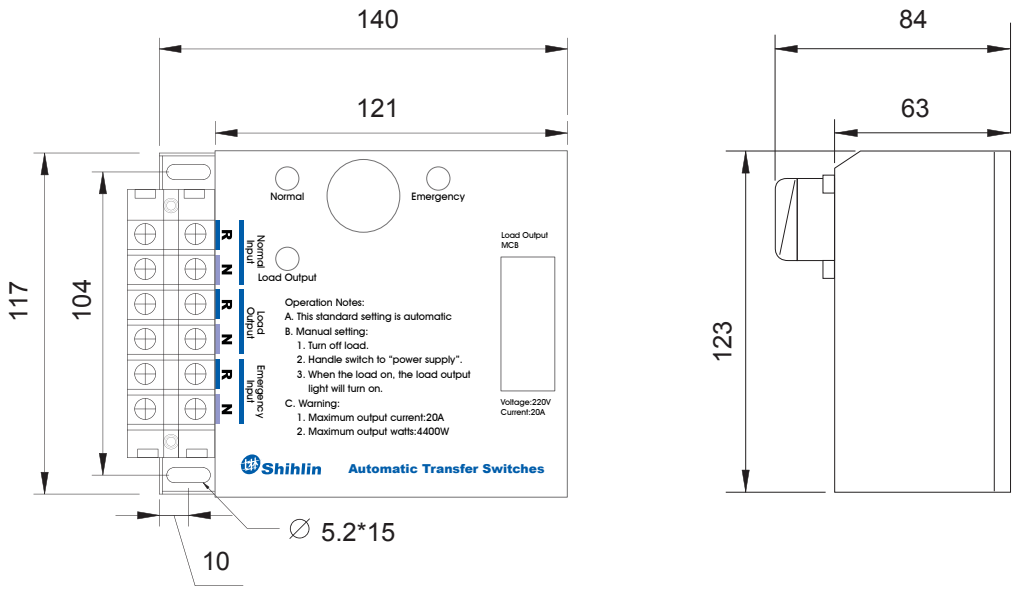


F. Contactor manual operation device diagram:



G. Overall dimensions (mm)

Type: ATS-MB
Dimension: mm



SHIHLIN ELECTRIC & ENGINEERING

Air Circuit Breaker, Molded Case Circuit Breaker, Earth-Leakage Circuit Breaker, Electronic Molded Case Circuit Breaker, Miniature Circuit Breaker, Residual Current Circuit Breaker, Automatic Transfer Switches, Magnetic Switch, Surge Protective Device, High / Low Voltage Power Capacitors, Digital Multi-Meter, Inverter



www.seec.com.tw

Head Office

16F, No.88, Sec.6, ChungShan N.Rd., Taipei, Taiwan.111
T. +886-2-2834-2662 F. +886-2-2836-6187

International Sales Dept.

3F, No.9, Sec.1, Chang-An E. Rd., Taipei, Taiwan.104
T. +886-2-2541-9822 F. +886-2-2581-2665
e-mail. b.export@seec.com.tw

